

LM5001

High Voltage Switch Mode Regulator

General Description

The LM5001 high voltage switch mode regulator features all of the functions necessary to implement efficient high voltage Boost, Flyback, SEPIC and Forward converters, using few external components. This easy to use regulator integrates a 75 Volt N-Channel MOSFET with a 1 Amp peak current limit. Current mode control provides inherently simple loop compensation and line-voltage feed-forward for superior rejection of input transients. The switching frequency is set with a single resistor and is programmable up to 1.5MHz. The oscillator can also be synchronized to an external clock. Additional protection features include: current limit, thermal shutdown, under-voltage lockout and remote shutdown capability. The device is available in both SO-8 and LLP-8 packages.

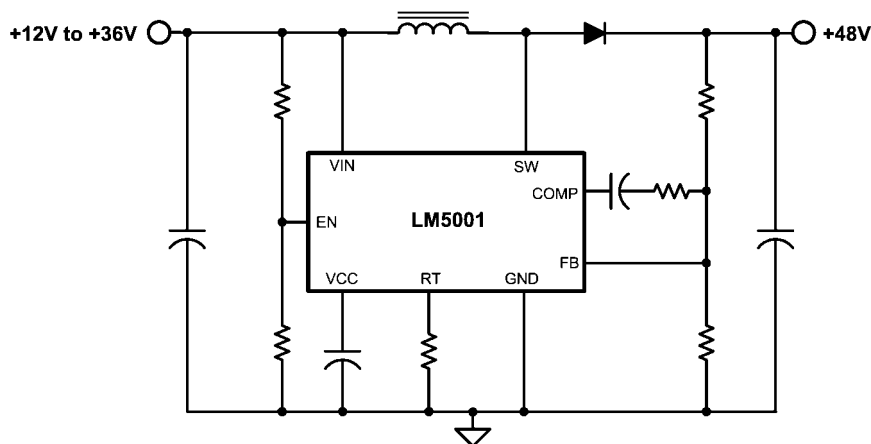
Features

- Integrated 75 volt N-Channel MOSFET
- Ultra-wide input voltage range from 3.1V to 75V
- Integrated high voltage bias regulator
- Adjustable output voltage
- 1.5% output voltage accuracy
- Current mode control with selectable compensation
- Wide bandwidth error amplifier
- Integrated current sensing and limiting
- Integrated slope compensation
- 85% maximum duty cycle limit
- Single resistor oscillator programming
- Oscillator synchronization capability
- Enable / Undervoltage Lockout (UVLO) pin
- Thermal shutdown

Packages

- SO-8
- LLP-8 (4mm x 4mm)

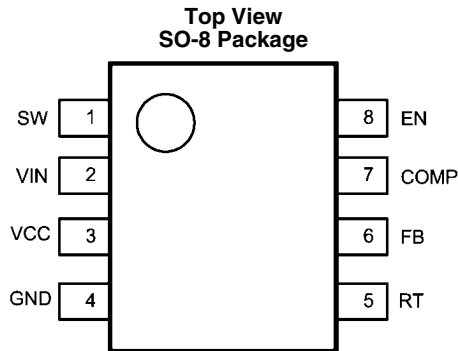
Typical Application Circuit



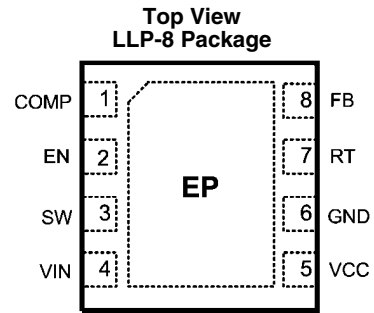
Boost Regulator Application Schematic

20215701

Connection Diagrams



20215702



20215703

Ordering Information

Order Number	Package Type	NSC Package Drawing	Supplied As
LM5001MA	SO-8	M08A	95 Units in a Rail
LM5001MAX	SO-8	M08A	2500 Units on Tape and Reel
LM5001SD	LLP-8	SDC08A	1000 Units on Tape and Reel
LM5001SDX	LLP-8	SDC08A	4500 Units on Tape and Reel
LM5001SDE	LLP-8	SDC08A	250 Units on Tape and Reel

Pin Descriptions

Pin		Name	Description	Application Information
SO	LLP			
1	3	SW	Switch pin	The drain terminal of the internal power MOSFET.
2	4	VIN	Input supply pin	Nominal operating range: 3.1V to 75V.
3	5	VCC	Bias regulator output, or input for external bias supply	VCC tracks VIN up to 6.9V. Above VIN = 6.9V, VCC is regulated to 6.9 Volts. A 0.47 μ F or greater ceramic decoupling capacitor is required. An external voltage (7V – 12V) can be applied to this pin which disables the internal VCC regulator to reduce internal power dissipation and improve converter efficiency.
4	6	GND	Ground	Internal reference for the regulator control functions and the power MOSFET current sense resistor connection.
5	7	RT	Oscillator frequency programming and optional synchronization pulse input	The internal oscillator is set with a resistor, between this pin and the GND pin. The recommended frequency range is 50KHz to 1.5 MHz. The RT pin can accept synchronization pulses from an external clock. A 100 pF capacitor is recommended for coupling the synchronizing clock to the RT pin.
6	8	FB	Feedback input from the regulated output voltage	This pin is connected to the inverting input of the internal error amplifier. The 1.26V reference is internally connected to the non-inverting input of the error amplifier.
7	1	COMP	Open drain output of the internal error amplifier	The loop compensation network should be connected between the COMP pin and the FB pin. COMP pull-up is provided by an internal 5 k Ω resistor which may be used to bias an opto-coupler transistor (while FB is grounded) for isolated ground applications.

Pin		Name	Description	Application Information
SO	LLP			
8	2	EN	Enable / Under Voltage Lock-Out / Shutdown input	An external voltage divider can be used to set the line undervoltage lockout threshold. If the EN pin is left unconnected, a 6 μ A pull-up current source pulls the EN pin high to enable the regulator.
NA	EP	EP	Exposed Pad, LLP only	Exposed metal pad on the underside of the package with a resistive connection to pin 6. It is recommended to connect this pad to the PC board ground plane in order to improve heat dissipation.

Absolute Maximum Ratings (Note 1)

If Military/Aerospace specified devices are required, please contact the National Semiconductor Sales Office/ Distributors for availability and specifications.

VIN to GND	76V
SW to GND (Steady State)	-0.3V to 76V
VCC, EN to GND	14V
COMP, FB, RT to GND	-0.3V to 7V
Maximum Junction Temperature	150°C

Storage Temperature -65°C to +150°C

ESD Rating (Note 2)

Human Body Model 2kV

Operating Conditions

VIN 3.1V to 75V

Operating Junction Temperature -40°C to +125°C

Electrical Characteristics Limits in standard type are for $T_J = 25^\circ\text{C}$ only; limits in **boldface type** apply over the junction temperature (T_J) range of -40°C to $+125^\circ\text{C}$. Minimum and Maximum limits are guaranteed through test, design, or statistical correlation. Typical values represent the most likely parametric norm at $T_J = 25^\circ\text{C}$, and are provided for reference purposes only. $V_{VIN} = 10\text{V}$, $R_{RT} = 48.7\text{k}\Omega$ unless otherwise stated. See (Note 3).

Symbol	Parameter	Conditions	Min	Typ	Max	Units
STARTUP REGULATOR						
$V_{VCC-REG}$	VCC Regulator Output		6.55	6.85	7.15	V
	VCC Current Limit	$V_{VCC} = 6\text{V}$	15	20		mA
	VCC UVLO Threshold	V_{VCC} increasing	2.6	2.8	3	V
	VCC Undervoltage Hysteresis			0.1		V
	Bias Current (I_{IN})	$V_{FB} = 1.5\text{V}$		3.1	4.5	mA
I_Q	Shutdown Current (I_{IN})	$V_{EN} = 0\text{V}$		95	130	μA
EN THRESHOLDS						
	EN Shutdown Threshold	V_{EN} increasing	0.25	0.45	0.65	V
	EN Shutdown Hysteresis			0.1		V
	EN Standby Threshold	V_{EN} increasing	1.2	1.26	1.32	V
	EN Standby Hysteresis			0.1		V
	EN Current Source			6		μA
MOSFET CHARACTERISTICS						
	MOSFET $R_{DS(ON)}$ plus Current Sense Resistance	$I_D = 0.5\text{A}$		490	800	$\text{m}\Omega$
	MOSFET Leakage Current	$V_{SW} = 75\text{V}$		0.05	5	μA
	MOSFET Gate Charge	$V_{VCC} = 6.9\text{V}$		4.5		nC
CURRENT LIMIT						
I_{LIM}	Cycle by Cycle Current Limit		0.8	1.0	1.2	A
	Cycle by Cycle Current Limit Delay			100	200	ns
OSCILLATOR						
F_{SW1}	Frequency1	$R_{RT} = 48.7\text{k}\Omega$	225	260	295	KHz
F_{SW2}	Frequency2	$R_{RT} = 15.8\text{k}\Omega$	660	780	900	KHz
$V_{RT-SYNC}$	SYNC Threshold		2.2	2.6	3.2	V
	SYNC Pulse Width Minimum	$V_{RT} > V_{RT-SYNC} + 0.5\text{V}$		15		ns
PWM COMPARATOR						
	Maximum Duty Cycle		80	85	90	%
	Min On-time	$V_{COMP} > V_{COMP-OS}$		35		ns
	Min On-time	$V_{COMP} < V_{COMP-OS}$		0		ns
$V_{COMP-OS}$	COMP to PWM Comparator Offset		0.9	1.30	1.55	V

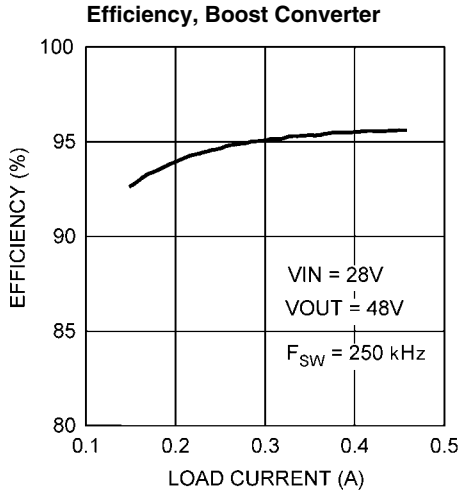
Symbol	Parameter	Conditions	Min	Typ	Max	Units
ERROR AMPLIFIER						
V_{FB-REF}	Feedback Reference Voltage	Internal reference $V_{FB} = V_{COMP}$	1.241	1.260	1.279	V
	FB Bias Current			10		nA
	DC Gain			72		dB
	COMP Sink Current	$V_{COMP} = 250mV$	2.5			mA
	COMP Short Circuit Current	$V_{FB} = 0, V_{COMP} = 0$	0.9	1.2	1.5	mA
	COMP Open Circuit Voltage	$V_{FB} = 0$	4.8	5.5	6.2	V
	COMP to SW Delay			50		ns
	Unity Gain Bandwidth			3		MHz
THERMAL SHUTDOWN						
T_{SD}	Thermal Shutdown Threshold			165		°C
	Thermal Shutdown Hysteresis			20		°C
THERMAL RESISTANCE						
θ_{JC}	Junction to Case, SO-8			32		°C/W
θ_{JA}	Junction to Ambient, SO-8			140		°C/W
θ_{JC}	Junction to Case, LLP-8			4.5		°C/W
θ_{JA}	Junction to Ambient, LLP-8			40		°C/W

Note 1: Absolute maximum ratings are limits beyond which damage to the device may occur. Operating Ratings are conditions for which the device is intended to be functional, but device parameter specifications may not be guaranteed. For guaranteed specifications and test conditions, see the Electrical Characteristics.

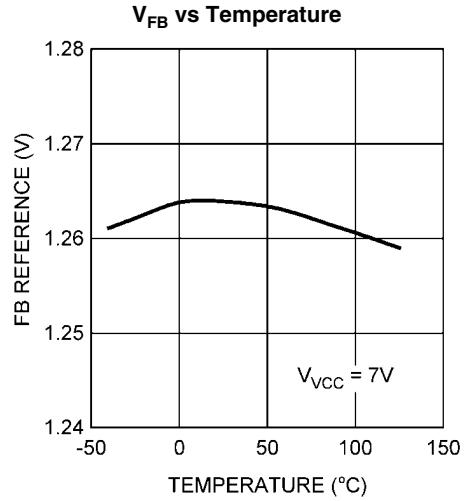
Note 2: The human body model is a 100 pF capacitor discharged through a 1.5k Ω resistor into each pin. Test Method is per JESD-22-A114.

Note 3: Min and Max limits are 100% production tested at 25°C. Limits over the operating temperature range are guaranteed through correlation using Statistical Quality Control (SQC) methods. Limits are used to calculate National's Average Outgoing Quality Level (AOQL).

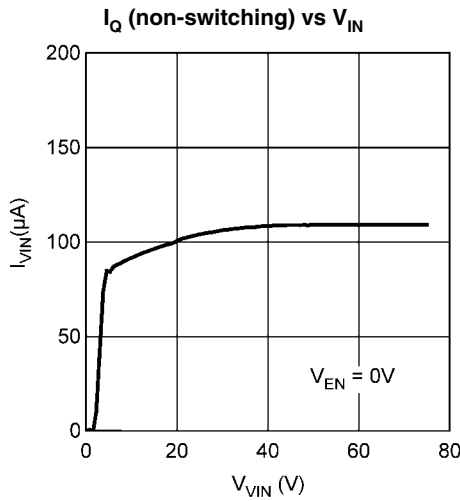
Typical Performance Characteristics



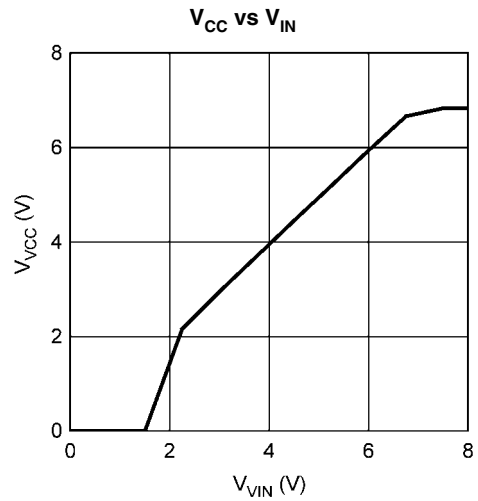
20215718



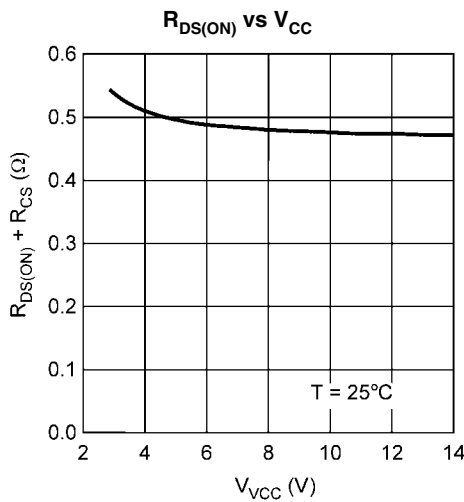
20215719



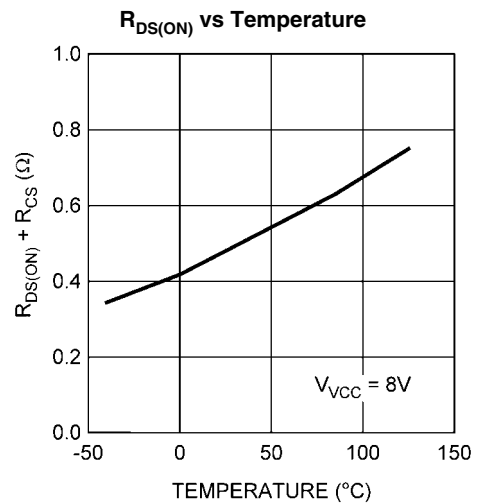
20215720



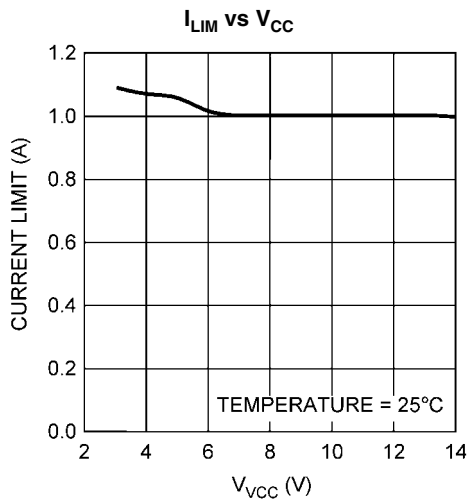
20215721



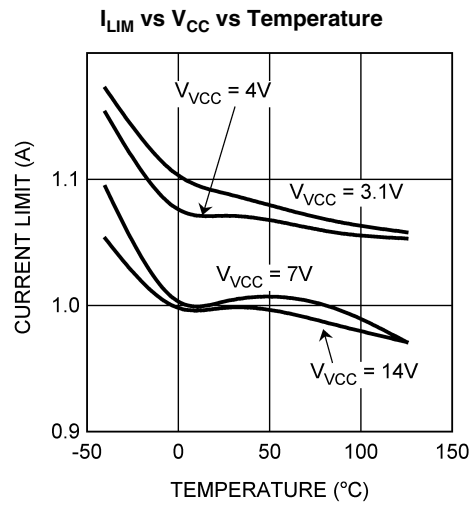
20215722



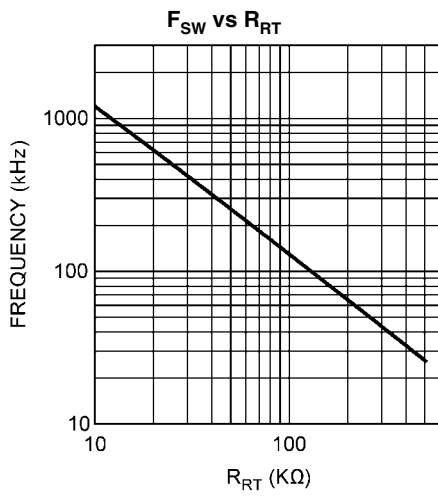
20215723



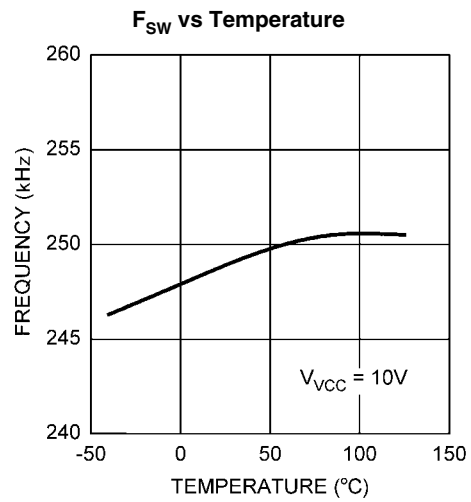
20215724



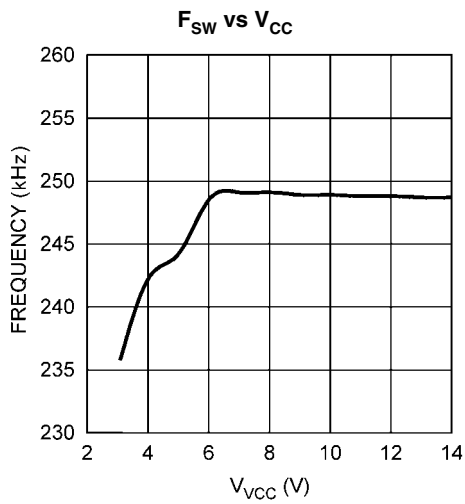
20215725



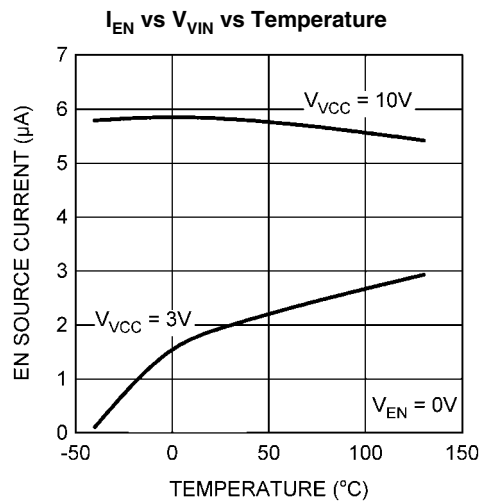
20215726



20215727

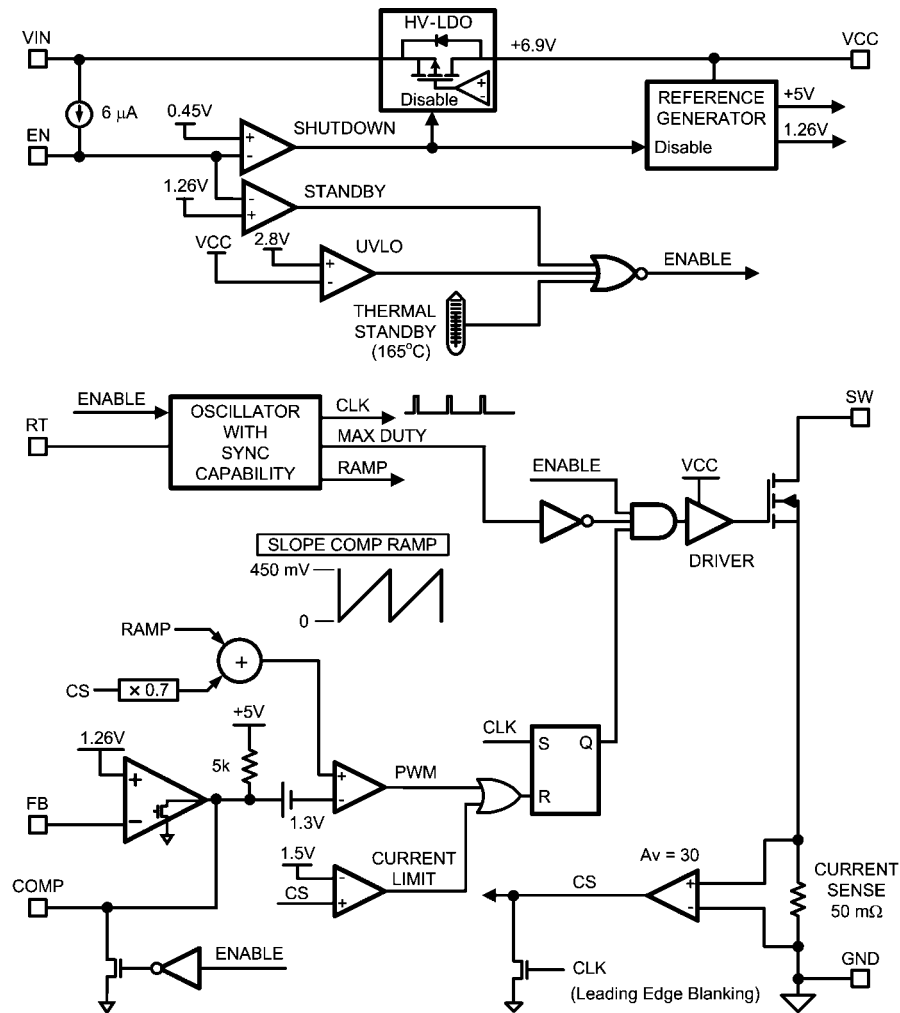


20215728



20215729

Block Diagram



20215704

Functional Description

The LM5001 high voltage switching regulator features all the functions necessary to implement an efficient boost, flyback, SEPIC or forward current mode power converter. The operation can be best understood by referring to the block diagram. At the start of each cycle, the oscillator sets the driver logic and turns on the power MOSFET to conduct current through the inductor or transformer. The peak current in the MOSFET is controlled by the voltage at the COMP pin. The COMP voltage will increase with larger loads and decrease with smaller loads. This voltage is compared with the sum of a voltage proportional to the power MOSFET current and an internally generated Slope Compensation ramp. Slope Compensation is used in current mode PWM architectures to eliminate sub-harmonic current oscillation that occurs with static duty cycles greater than 50%. When the summed signal exceeds the COMP voltage, the PWM comparator resets the driver logic, turning off the power MOSFET. The driver logic is then set by the oscillator at the end of the switching cycle to initiate the next power period.

The LM5001 has dedicated protection circuitry to protect the IC from abnormal operating conditions. Cycle-by-cycle current limiting prevents the power MOSFET current from ex-

ceeding 1A. This feature can also be used to soft-start the regulator. Thermal Shutdown circuitry holds the driver logic in reset when the die temperature reaches 165°C, and returns to normal operation when the die temperature drops by approximately 20°C. The EN pin can be used as an input voltage under voltage lockout (UVLO) during start-up to prevent operation with less than the minimum desired input voltage.

High Voltage VCC Regulator

The LM5001 VCC Low Drop Out (LDO) regulator allows the LM5001 to operate at the lowest possible input voltage. The VCC pin voltage is very nearly equal to the input voltage from 2.8V up to approximately 6.9V. As the input voltage continues to increase, the VCC pin voltage is regulated at the 6.9V set-point. The total input operating range of the VCC LDO regulator is 3.1V to 75V.

The output of the VCC regulator is current limited to 20mA. During power-up, the VCC regulator supplies current into the required decoupling capacitor (0.47 μF or greater ceramic capacitor) at the VCC pin. When the voltage at the VCC pin exceeds the VCC UVLO threshold of 2.8V and the EN pin is greater than 1.26V the PWM controller is enabled and switch-

ing begins. The controller remains enabled until VCC falls below 2.7V or the EN pin falls below 1.16V.

An auxiliary supply voltage can be applied to the VCC pin to reduce the IC power dissipation. If the auxiliary voltage is greater than 6.9V, the internal regulator will essentially shut-off, and internal power dissipation will be decreased by the VIN voltage times the operating current. The overall converter efficiency will also improve if the VIN voltage is much higher than the auxiliary voltage. The externally applied VCC voltage should not exceed 14V. The VCC regulator series pass MOSFET includes a body diode (see the Block Diagram) between VCC and VIN that should not be forward biased in normal operation. Therefore, the auxiliary VCC voltage should never exceed the VIN voltage.

In high voltage applications extra care should be taken to ensure the VIN pin does not exceed the absolute maximum voltage rating of 76V. Voltage ringing on the VIN line during line transients that exceeds the Absolute Maximum Ratings will damage the IC. Both careful PC board layout and the use of quality bypass capacitors located close to the VIN and GND pins are essential.

Oscillator

A single external resistor connected between RT and GND pins sets the LM5001 oscillator frequency. To set a desired oscillator frequency (F_{SW}), the necessary value for the RT resistor can be calculated from the following equation:

$$RT = 13.1 \times 10^9 \times \left(\frac{1}{F_{SW}} - 83 \text{ ns} \right)$$

The tolerance of the external resistor and the frequency tolerance indicated in the Electrical Characteristics must be taken into account when determining the worst case frequency range.

External Synchronization

The LM5001 can be synchronized to the rising edge of an external clock. The external clock must have a higher frequency than the free running oscillator frequency set by the RT resistor. The clock signal should be coupled through a 100pF capacitor into the RT pin. A peak voltage level greater than 2.6V at the RT pin is required for detection of the sync pulse. The DC voltage across the RT resistor is internally regulated at 1.5 volts. The negative portion of the AC voltage of the synchronizing clock is clamped to this 1.5V by an amplifier inside the LM5001 with ~100Ω output impedance. Therefore, the AC pulse superimposed on the RT resistor must have positive pulse amplitude of 1.1V or greater to successfully synchronize the oscillator. The sync pulse width measured at the RT pin should have a duration greater than

15ns and less than 5% of the switching period. The sync pulse rising edge initiates the internal CLK signal rising edge, which turns off the power MOSFET. The RT resistor is always required, whether the oscillator is free running or externally synchronized. The RT resistor should be located very close to the device and connected directly to the RT and GND pins of the LM5001.

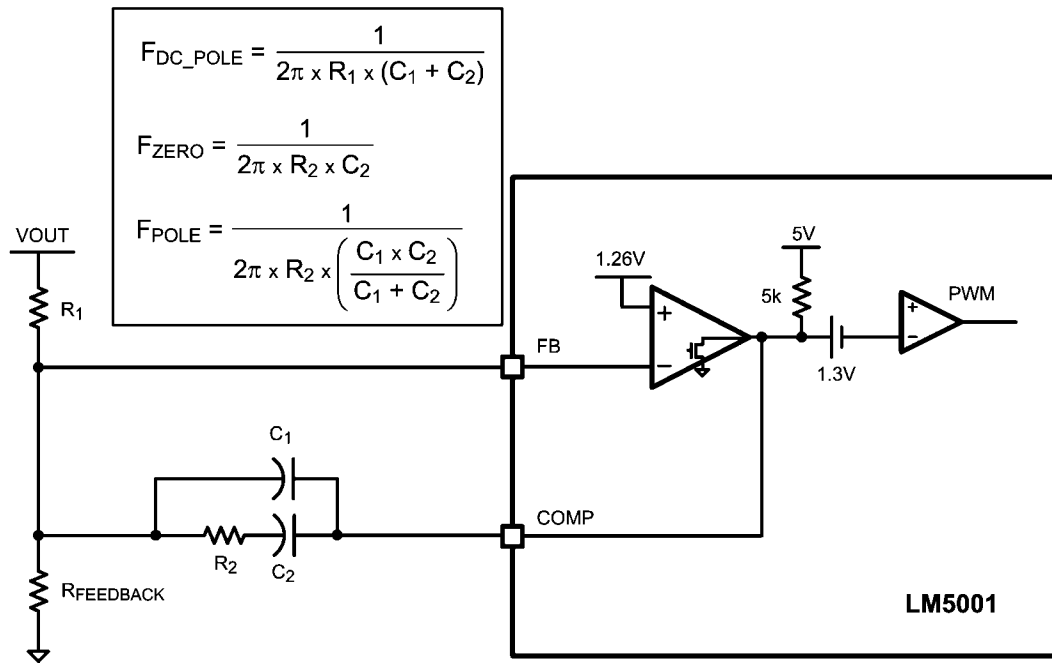
Enable / Standby

The LM5001 contains a dual level Enable circuit. When the EN pin voltage is below 450 mV, the IC is in a low current shutdown mode with the VCC LDO disabled. When the EN pin voltage is raised above the shutdown threshold but below the 1.26V standby threshold, the VCC LDO regulator is enabled, while the remainder of the IC is disabled. When the EN pin voltage is raised above the 1.26V standby threshold, all functions are enabled and normal operation begins. An internal 6 μA current source pulls up the EN pin to activate the IC when the EN pin is left disconnected.

An external set-point resistor divider from VIN to GND can be used to determine the minimum operating input range of the regulator. The divider must be designed such that the EN pin exceeds the 1.26V standby threshold when VIN is in the desired operating range. The internal 6 μA current source should be included when determining the resistor values. The shutdown and standby thresholds have 100 mV hysteresis to prevent noise from toggling between modes. When the VIN voltage is below 3.5VDC during start-up and the operating temperature is below -20°C, the EN pin should have a pull-up resistor that will provide 2 μA or greater current. The EN pin is internally protected by a 6V Zener diode through a 1 kΩ resistor. The enabling voltage may exceed the Zener voltage, however the Zener current should be limited to less than 4mA.

Error Amplifier and PWM Comparator

An internal high gain error amplifier generates an error signal proportional to the difference between the regulated output voltage and an internal precision reference. The output of the error amplifier is connected to the COMP pin allowing the user to add loop compensation, typically a Type II network, as illustrated in Figure 1. This network creates a low frequency pole that rolls off the high DC gain of the amplifier, which is necessary to accurately regulate the output voltage. F_{DC_POLE} is the closed loop unity gain (0 dB) frequency of this pole. A zero provides phase boost near the closed loop unity gain frequency, and a high frequency pole attenuates switching noise. The PWM comparator compares the current sense signal from the current sense amplifier to the error amplifier output voltage at the COMP pin.



20215706

FIGURE 1. Type II Compensator

When isolation between primary and secondary circuits is required, the Error Amplifier is usually disabled by connecting the FB pin to GND. This allows the COMP pin to be driven directly by the collector of an opto-coupler. In isolated designs the external error amplifier is located on the secondary circuit and drives the opto-coupler LED. The compensation network is connected to the secondary side error amplifier. An example of an isolated regulator with an opto-coupler is shown in Figure 7.

Current Amplifier and Slope Compensation

The LM5001 employs peak current mode control which also provides a cycle-by-cycle over current protection feature. An internal 50 mΩ current sense resistor measures the current in the power MOSFET source. The sense resistor voltage is amplified 30 times to provide a 1.5V/A signal into the current limit comparator. Current limiting is initiated if the internal current limit comparator input exceeds the 1.5V threshold, corresponding to 1A. When the current limit comparator is triggered, the SW output pin immediately switches to a high impedance state.

The current sense signal is reduced to a scale factor of 1.05V/A for the PWM comparator signal. The signal is then summed with a 450mV peak slope compensation ramp. The combined signal provides the PWM comparator with a control signal that reaches 1.5V when the MOSFET current is 1A. For duty cycles greater than 50%, current mode control circuits are subject to sub-harmonic oscillation (alternating between short and long PWM pulses every other cycle). Adding a fixed slope voltage ramp signal (slope compensation) to the current sense signal prevents this oscillation. The 450mV ramp (zero

volts when the power MOSFET turns on, and 450mV at the end of the PWM clock cycle) adds a fixed slope to the current sense ramp to prevent oscillation.

To prevent erratic operation at low duty cycle, a leading edge blanking circuit attenuates the current sense signal when the power MOSFET is turned on. When the MOSFET is initially turned on, current spikes from the power MOSFET drain-source and gate-source capacitances flow through the current sense resistor. These transient currents normally cease within 50 ns with proper selection of rectifier diodes and proper PC board layout.

Thermal Protection

Internal Thermal Shutdown circuitry is provided to protect the IC in the event the maximum junction temperature is exceeded. When the 165°C junction temperature threshold is reached, the regulator is forced into a low power standby state, disabling all functions except the VCC regulator. Thermal hysteresis allows the IC to cool down before it is re-enabled. Note that since the VCC regulator remains functional during this period, the soft-start circuit shown in Figure 5 should be augmented if soft-start from Thermal Shutdown state is required.

Power MOSFET

The LM5001 switching regulator includes an N-Channel MOSFET with 440 mΩ on-resistance. The on-resistance of the LM5001 MOSFET varies with temperature as shown in the Typical Performance Characteristics graph. The typical total gate charge for the MOSFET is 4.5 nC which is supplied from the VCC pin when the MOSFET is turned on.

Application Information

The following information is intended to provide guidelines for the power supply designer using the LM5001.

VIN

The voltage applied to the VIN pin can vary within the range of 3.1V to 75V. The current into the VIN pin depends primarily on the gate charge of the power MOSFET, the switching frequency, and any external load on the VCC pin. It is recommended the filter shown in Figure 2 be used to suppress transients which may occur at the input supply. This is particularly important when VIN is operated close to the maximum operating rating of the LM5001.

When power is applied and the VIN voltage exceeds 2.8V with the EN pin voltage greater than 0.45V, the VCC regulator is enabled, supplying current into the external capacitor connected to the VCC pin. When the VIN voltage is between 2.8V and 6.9V, the VCC voltage is approximately equal to the VIN voltage. When the voltage on the VCC pin exceeds 6.9V, the VCC pin voltage is regulated at 6.9V. In typical flyback applications, an auxiliary transformer winding is connected through a diode to the VCC pin. This winding must raise the VCC voltage above 6.9V to shut off the internal start-up regulator. The current requirements from this winding are relatively small, typically less than 20 mA. If the VIN voltage is much higher than the auxiliary voltage, the auxiliary winding will significantly improve conversion efficiency. It also reduces the power dissipation within the LM5001. The externally applied VCC voltage should never exceed 14V. Also the applied VCC should never exceed the VIN voltage to avoid reverse current through the internal VCC to VIN diode shown in the LM5001 block diagram.

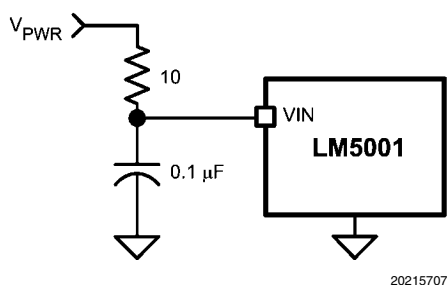


FIGURE 2. Input Transient Protection

SW PIN

Attention must be given to the PC board layout for the SW pin which connects to the power MOSFET drain. Energy can be

stored in parasitic inductance and capacitance which cause switching spikes that negatively effect efficiency, and conducted and radiated emissions. These connections should be as short as possible to reduce inductance and as wide as possible to reduce resistance. The loop area, defined by the SW and GND pin connections, the transformer or inductor terminals, and their respective return paths, should be minimized.

EN / UVLO VOLTAGE DIVIDER SELECTION

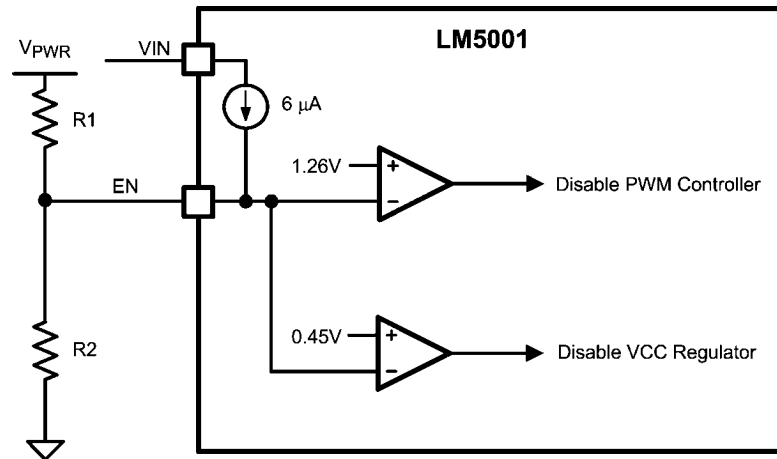
Two dedicated comparators connected to the EN pin are used to detect under-voltage and shutdown conditions. When the EN pin voltage is below 0.45V, the controller is in a low current shutdown mode where the VIN current is reduced to 95 μ A. For an EN pin voltage greater than 0.45V but less than 1.26V the controller is in standby mode, with all internal circuits operational, but the PWM gate driver signal is blocked. Once the EN pin voltage is greater than 1.26V, the controller is fully enabled. Two external resistors can be used to program the minimum operational voltage for the power converter as shown in Figure 3. When the EN pin voltage falls below the 1.26V threshold, an internal 100 mV threshold hysteresis prevents noise from toggling the state, so the voltage must be reduced to 1.16V to transition to standby. Resistance values for R1 and R2 can be determined from the following equations:

$$R1 = \frac{V_{PWR} - 1.26V}{I_{DIVIDER}}$$

$$R2 = \frac{1.26V}{I_{DIVIDER} + 6 \mu A}$$

where V_{PWR} is the desired turn-on voltage and $I_{DIVIDER}$ is an arbitrary current through R1 and R2.

For example, if the LM5001 is to be enabled when V_{PWR} reaches 16V, $I_{DIVIDER}$ could be chosen as 501 μ A which would set R1 to 29.4 k Ω and R2 to 2.49 k Ω . The voltage at the EN pin should not exceed 10V unless the current into the 6V protection Zener diode is limited below 4 mA. The EN pin voltage should not exceed 14V at any time. Be sure to check both the power and voltage rating (some 0603 resistors are rated as low as 50V) for the selected R1 resistor.

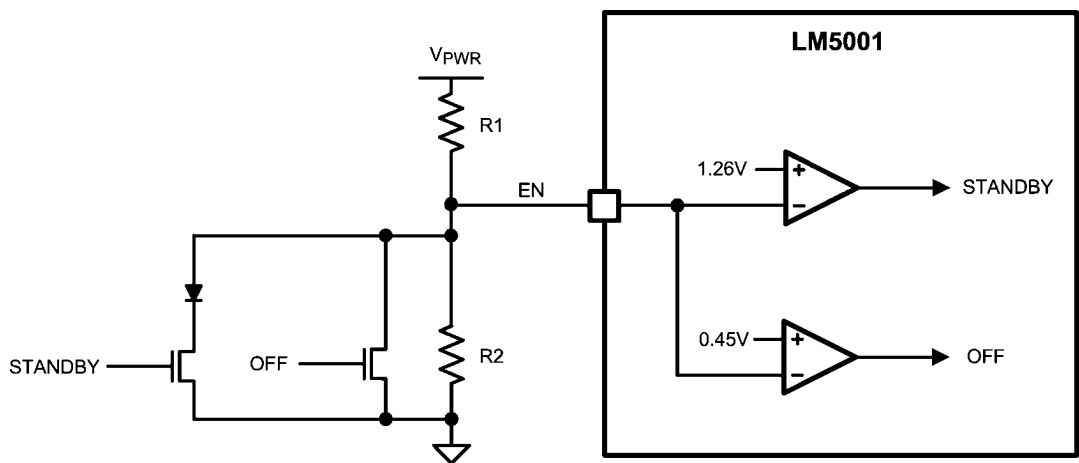


20215710

FIGURE 3. Basic EN (UVLO) Configuration

Remote configuration of the controller's operational modes can be accomplished with open drain device(s) connected to the EN pin as shown in Figure 4. A MOSFET or an NPN transistor connected to the EN pin can force the regulator into the

low power 'off' state. Adding a PN diode in the drain (or collector) provides the offset to achieve the standby state. The advantage of standby is that the VCC LDO is not disabled and external circuitry powered by VCC remains functional.



20215711

FIGURE 4. Remote Standby and Disable Control

SOFTSTART

Soft-start (SS) can be implemented with an external capacitor connected to COMP through a diode as shown in Figure 5. The COMP discharge MOSFET conducts during Shutdown and Standby modes to keep the COMP voltage below the PWM offset (1.3V), which inhibits PWM pulses. The error amplifier will attempt to raise the COMP voltage after the EN pin exceeds the 1.26V standby threshold. Because the error amplifier output can only sink current, the internal COMP pull-up

resistor (~5 kΩ) will supply the charging current to the SS capacitor. The SS capacitor will cause the COMP voltage to gradually increase, until the output voltage achieves regulation and FB assumes control of the COMP and the PWM duty cycle. The SS capacitor continues charging through a large resistance, R_{SS} , preventing the SS circuit from interfering with the normal error amplifier function. During shutdown, the VCC diode discharges the SS capacitor.

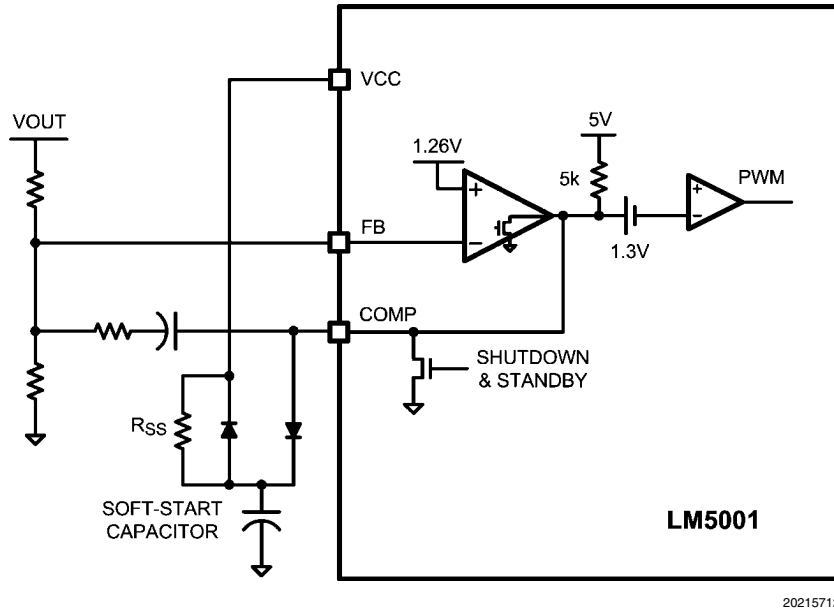


FIGURE 5. Soft-Start

Printed Circuit Board Layout

The LM5001 Current Sense and PWM comparators are very fast and may respond to short duration noise pulses. The components at the SW, COMP, EN and the RT pins should be as physically close as possible to the IC, thereby minimizing noise pickup on the PC board tracks.

The SW output pin of the LM5001 should have a short, wide conductor to the power path inductors, transformers and capacitors in order to minimize parasitic inductance that reduces efficiency and increases conducted and radiated noise. Ceramic decoupling capacitors are recommended between the VIN pin to the GND pin and between the VCC pin to the GND pin. Use short, direct connections to avoid clock jitter due to ground voltage differentials. Small package surface mount X7R or X5R capacitors are preferred for high frequency performance and limited variation over temperature and applied voltage.

If an application using the LM5001 produces high junction temperatures during normal operation, multiple vias from the GND pin to a PC board ground plane will help conduct heat away from the IC. Judicious positioning of the PC board within the end product, along with use of any available air flow will help reduce the junction temperatures. If using forced air cooling, avoid placing the LM5001 in the airflow shadow of large components, such as input capacitors, inductors or transformers.

Application Circuit Examples

The following schematics present examples of a Non-Isolated Flyback, Isolated Flyback, Boost, 24V SEPIC and a 12V Automotive range SEPIC converters utilizing the LM5001 switching regulator.

NON-ISOLATED FLYBACK

The Non-Isolated Flyback converter (Figure 6) utilizes the internal voltage reference for the regulation setpoint. The output is +5V at 1A while the input voltage can vary from 16V to 42V. The switching frequency is set to 250kHz. An auxiliary winding on transformer (T1) provides 7.5V to power the LM5001 when the output is in regulation. This disables the internal high voltage VCC LDO regulator and improves efficiency. The input under-voltage threshold is 13.9V. The converter can be shut down by driving the EN input below 1.26V with an open-collector or open-drain transistor. An external synchronizing frequency can be applied to the SYNC input. An optional soft-start circuit is connected to the COMP pin input. When power is applied, the soft-start capacitor (C7) is discharged and limits the voltage applied to the PWM comparator by the internal error amplifier. The internal ~5 k Ω COMP pull-up resistor charges the soft-start capacitor until regulation is achieved. The VCC pull-up resistor (R7) continues to charge C7 so that the soft-start circuit will not affect the compensation network in normal operation. If the output capacitance is small, the

soft-start circuit can be adjusted to limit the power-on output voltage overshoot. If the output capacitance is sufficiently large, no soft-start circuit is needed because the LM5001 will gradually charge the output capacitor by current limiting at approximately 1A (I_{LIM}) until regulation is achieved.

ISOLATED FLYBACK

The Isolated Flyback converter (Figure 7) utilizes a 2.5V voltage reference (LM431) located on the isolated secondary side for the regulation setpoint. The LM5001 internal error amplifier is disabled by grounding the FB pin. The LM431 controls the current through the opto-coupler LED, which sets the COMP pin voltage. The R4 and C3 network boosts the phase response of the opto-coupler to increase the loop bandwidth. The output is +5V at 1A and the input voltage ranges from 16V to 42V. The switching frequency is set to 250kHz.

BOOST

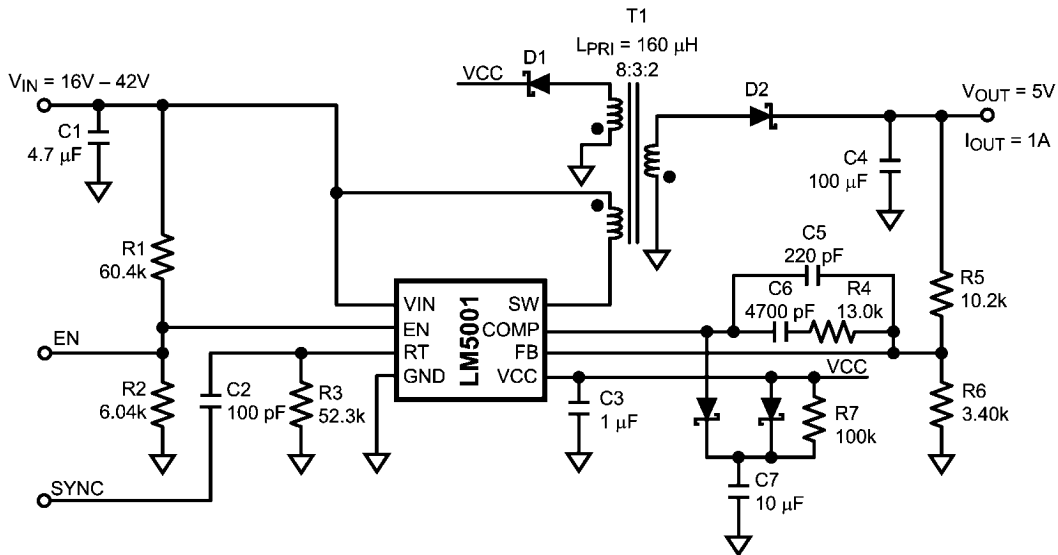
The Boost converter (Figure 8) utilizes the internal voltage reference for the regulation setpoint. The output is +48V at 150mA, while the input voltage can vary from 16V to 36V. The switching frequency is set to 250kHz. The internal VCC regulator provides 6.9V bias power, since there isn't a simple method for creating an auxiliary voltage with the boost topology. Note that the boost topology does not provide output short-circuit protection because the power MOSFET cannot interrupt the path between the input and the output.

24V SEPIC

The 24V SEPIC converter (Figure 9) utilizes the internal voltage reference for the regulation setpoint. The output is +24V at 250mA while the input voltage can vary from 16V to 48V. The switching frequency is set to 250kHz. The internal VCC regulator provides 6.9V bias power for the LM5001. An auxiliary voltage can be created by adding a winding on L2 and a diode into the VCC pin.

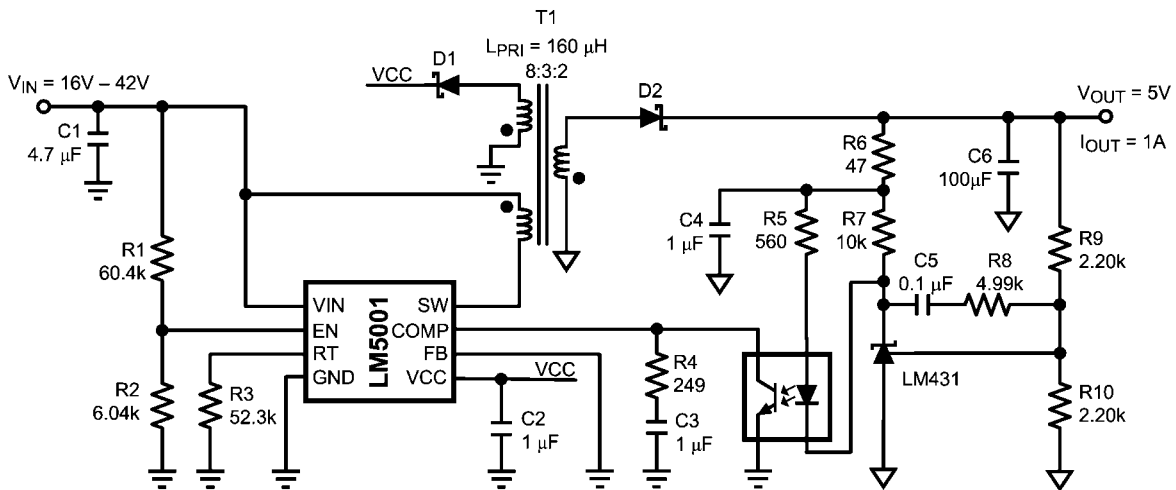
12V AUTOMOTIVE SEPIC

The 12V Automotive SEPIC converter (Figure 10) utilizes the internal bandgap voltage reference for the regulation setpoint. The output is +12V at 50mA while the input voltage can vary from 3.1V to 60V. The output current rating can be increased if the minimum VIN voltage requirement is increased. The switching frequency is set to 750kHz. The internal VCC regulator provides 6.9V bias power for the LM5001. The output voltage can be used as an auxiliary voltage if the nominal VIN voltage is greater than 12V by adding a diode from the output into the VCC pin. In this configuration, the minimum input voltage must be greater than 12V to prevent the internal VCC to VIN diode from conducting. If the applied VCC voltage exceeds the minimum VIN voltage, then an external blocking diode is required between the VIN pin and the power source to block current flow from VCC to the input supply.



20215713

FIGURE 6. Non-Isolated Flyback



20215714

FIGURE 7. Isolated Flyback

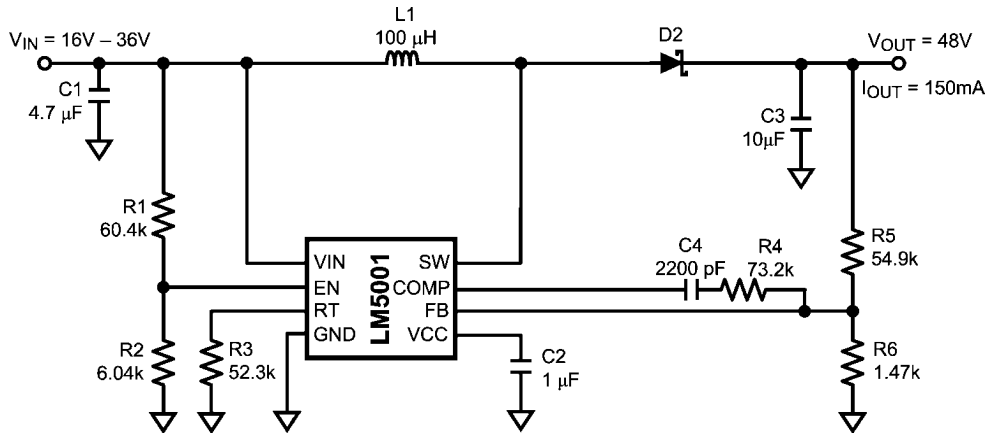


FIGURE 8. Boost

20215715

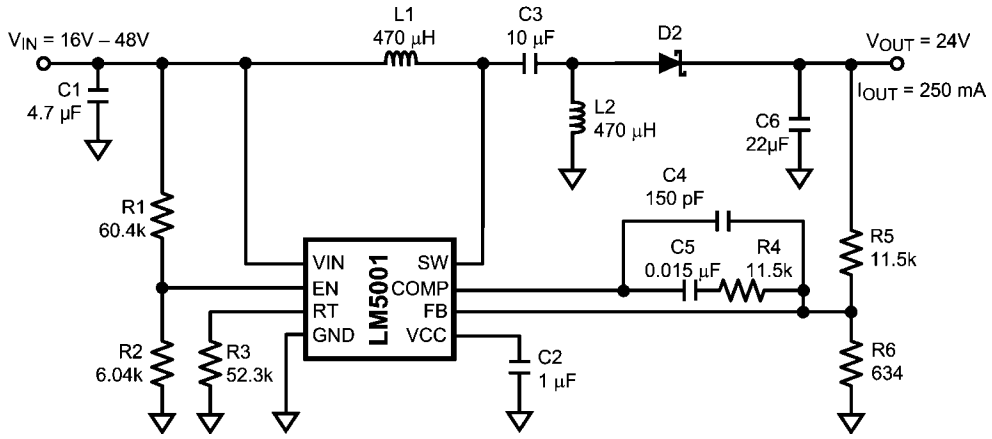


FIGURE 9. 24V SEPIC

20215716

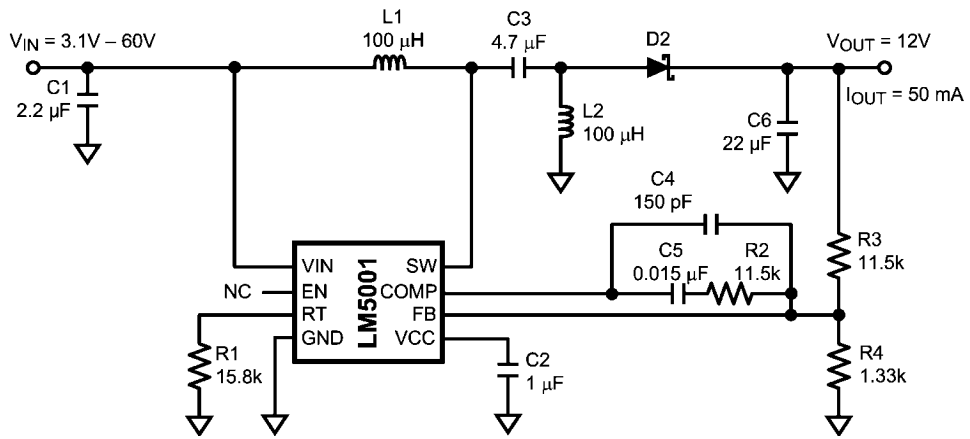
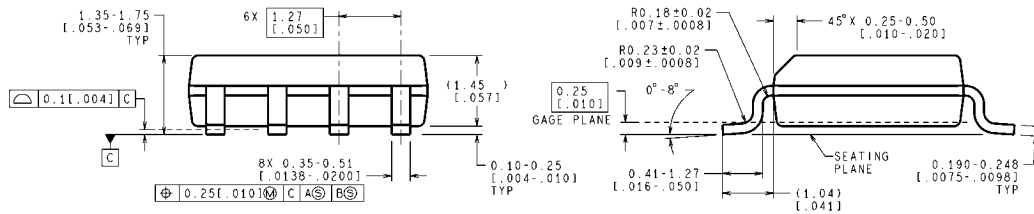
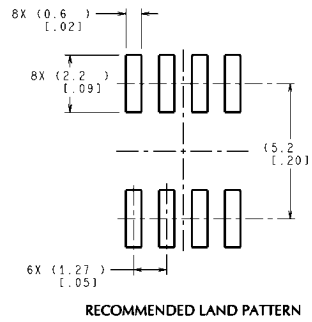
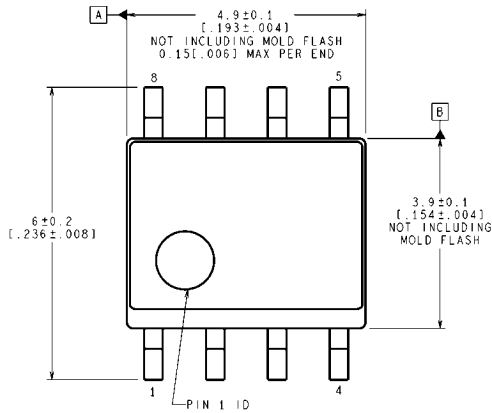


FIGURE 10. 12V SEPIC

20215717

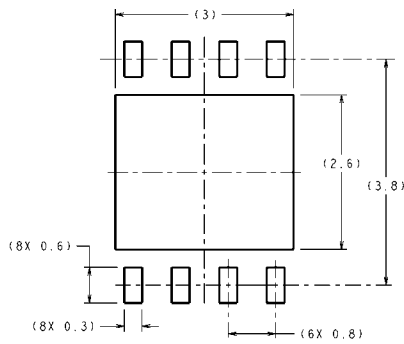
Physical Dimensions inches (millimeters) unless otherwise noted



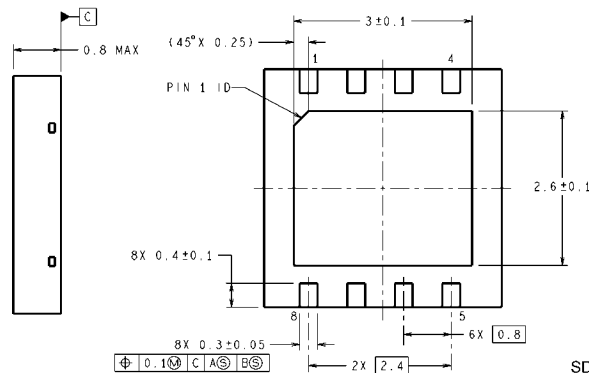
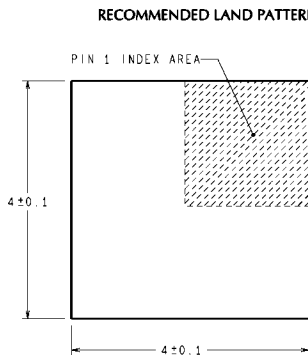
CONTROLLING DIMENSION IS MILLIMETER
VALUES IN [] ARE INCHES
DIMENSIONS IN () FOR REFERENCE ONLY

M08A (Rev L)

**8-Lead SO-8 Package
NS Package Number M08A**



DIMENSIONS ARE IN MILLIMETERS
DIMENSIONS IN () FOR REFERENCE ONLY



**8-Lead LLP Package
NS Package Number SDC08A**

SDC08A (Rev A)

Notes

THE CONTENTS OF THIS DOCUMENT ARE PROVIDED IN CONNECTION WITH NATIONAL SEMICONDUCTOR CORPORATION ("NATIONAL") PRODUCTS. NATIONAL MAKES NO REPRESENTATIONS OR WARRANTIES WITH RESPECT TO THE ACCURACY OR COMPLETENESS OF THE CONTENTS OF THIS PUBLICATION AND RESERVES THE RIGHT TO MAKE CHANGES TO SPECIFICATIONS AND PRODUCT DESCRIPTIONS AT ANY TIME WITHOUT NOTICE. NO LICENSE, WHETHER EXPRESS, IMPLIED, ARISING BY ESTOPPEL OR OTHERWISE, TO ANY INTELLECTUAL PROPERTY RIGHTS IS GRANTED BY THIS DOCUMENT.

TESTING AND OTHER QUALITY CONTROLS ARE USED TO THE EXTENT NATIONAL DEEMS NECESSARY TO SUPPORT NATIONAL'S PRODUCT WARRANTY. EXCEPT WHERE MANDATED BY GOVERNMENT REQUIREMENTS, TESTING OF ALL PARAMETERS OF EACH PRODUCT IS NOT NECESSARILY PERFORMED. NATIONAL ASSUMES NO LIABILITY FOR APPLICATIONS ASSISTANCE OR BUYER PRODUCT DESIGN. BUYERS ARE RESPONSIBLE FOR THEIR PRODUCTS AND APPLICATIONS USING NATIONAL COMPONENTS. PRIOR TO USING OR DISTRIBUTING ANY PRODUCTS THAT INCLUDE NATIONAL COMPONENTS, BUYERS SHOULD PROVIDE ADEQUATE DESIGN, TESTING AND OPERATING SAFEGUARDS.

EXCEPT AS PROVIDED IN NATIONAL'S TERMS AND CONDITIONS OF SALE FOR SUCH PRODUCTS, NATIONAL ASSUMES NO LIABILITY WHATSOEVER, AND NATIONAL DISCLAIMS ANY EXPRESS OR IMPLIED WARRANTY RELATING TO THE SALE AND/OR USE OF NATIONAL PRODUCTS INCLUDING LIABILITY OR WARRANTIES RELATING TO FITNESS FOR A PARTICULAR PURPOSE, MERCHANTABILITY, OR INFRINGEMENT OF ANY PATENT, COPYRIGHT OR OTHER INTELLECTUAL PROPERTY RIGHT.

LIFE SUPPORT POLICY

NATIONAL'S PRODUCTS ARE NOT AUTHORIZED FOR USE AS CRITICAL COMPONENTS IN LIFE SUPPORT DEVICES OR SYSTEMS WITHOUT THE EXPRESS PRIOR WRITTEN APPROVAL OF THE CHIEF EXECUTIVE OFFICER AND GENERAL COUNSEL OF NATIONAL SEMICONDUCTOR CORPORATION. As used herein:

Life support devices or systems are devices which (a) are intended for surgical implant into the body, or (b) support or sustain life and whose failure to perform when properly used in accordance with instructions for use provided in the labeling can be reasonably expected to result in a significant injury to the user. A critical component is any component in a life support device or system whose failure to perform can be reasonably expected to cause the failure of the life support device or system or to affect its safety or effectiveness.

National Semiconductor and the National Semiconductor logo are registered trademarks of National Semiconductor Corporation. All other brand or product names may be trademarks or registered trademarks of their respective holders.

Copyright© 2007 National Semiconductor Corporation

For the most current product information visit us at www.national.com



**National Semiconductor
Americas Customer
Support Center**
Email:
new.feedback@nsc.com
Tel: 1-800-272-9959

**National Semiconductor Europe
Customer Support Center**
Fax: +49 (0) 180-530-85-86
Email: europe.support@nsc.com
Deutsch Tel: +49 (0) 69 9508 6208
English Tel: +49 (0) 870 24 0 2171
Français Tel: +33 (0) 1 41 91 8790

**National Semiconductor Asia
Pacific Customer Support Center**
Email: ap.support@nsc.com

**National Semiconductor Japan
Customer Support Center**
Fax: 81-3-5639-7507
Email: jpn.feedback@nsc.com
Tel: 81-3-5639-7560